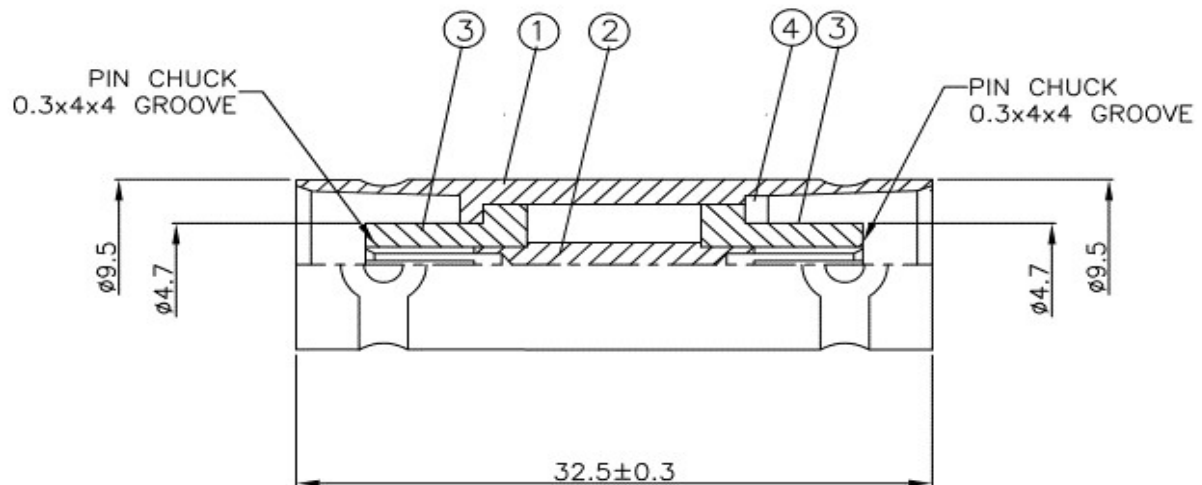
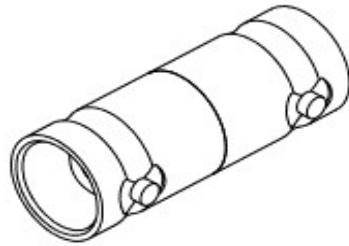


B-149 BNC Doppelkupplung



NO	DESCRIPTION	MATERIAL	Q' TY	FINISH
1	BODY	BRASS	1	NICKEL
2	PIN	BRASS	1	GOLD
3	INSULATION	DELRIN	2	DELRIN
4	WASHER	BRASS	1	NICKEL